

# MP796 IXA

## Microwave



### Microwave with grill

#### Features and Benefits:

<b>40L Capacity</b>	40L capacity functional size for everyday use
<b>Electronic program and touch control</b>	Electronic programmer with an end of cooking signal so you know when your cooking has ended
<b>Automatic cool down</b>	Automatic cool down, cools down your unit after each use

#### Distributed by Arisit Pty Ltd

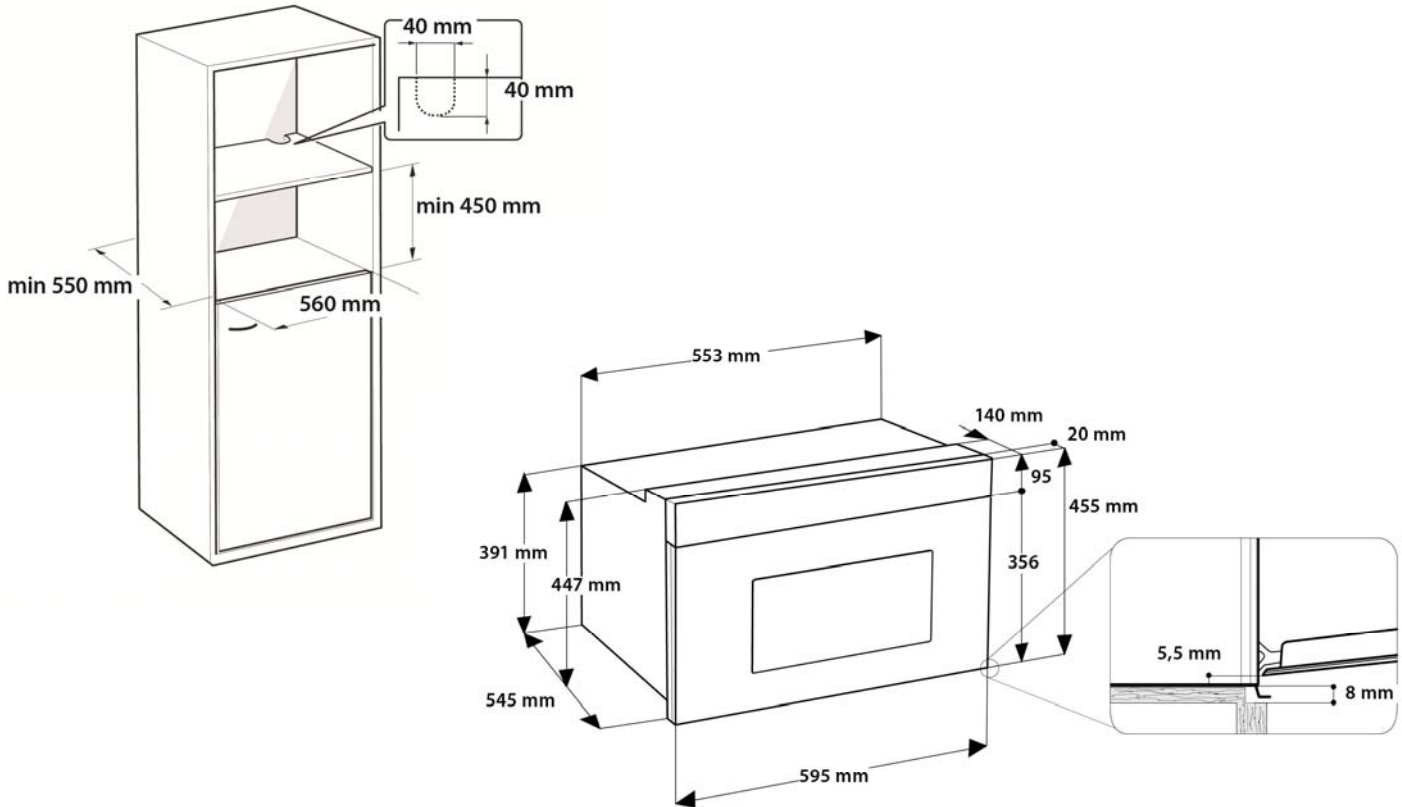
40-44 Mark Anthony Drive, Dandenong South VIC 3175 Ph: 1300 762 219 Fax: 03 9768 0838 Website: [www.arisit.com](http://www.arisit.com)

1A Howe Street, Newton, Auckland NZ 1145

Ph:(09) 306 1020 Fax: (09) 302 0077

# MP796 IXA

## Microwave



### Technical Specifications:

Technical Specifications	
Voltage (V)	220-240
Frequency (Hz)	50-60
Absorbed Current (A)	12
Type of energy	Electric
Absorbed Power (W)	2800
Oven Capacity (Net)	40 ltr
Plug and lead	15 AMP
Height of the product	455
Depth of the product	535
Width of the product	595

WARNING: technical specifications and product sizes can be varied by the manufacturer, without notice. Cut outs for appliances should only be by physical product measurements. The above information is indicative only.

**Distributed by Arisit Pty Ltd**

40-44 Mark Anthony Drive, Dandenong South VIC 3175 Ph: 1300 762 219 Fax: 03 9768 0838 Website: www.arisit.com

1A Howe Street, Newton, Auckland NZ 1145

Ph:(09) 306 1020 Fax: (09) 302 0077